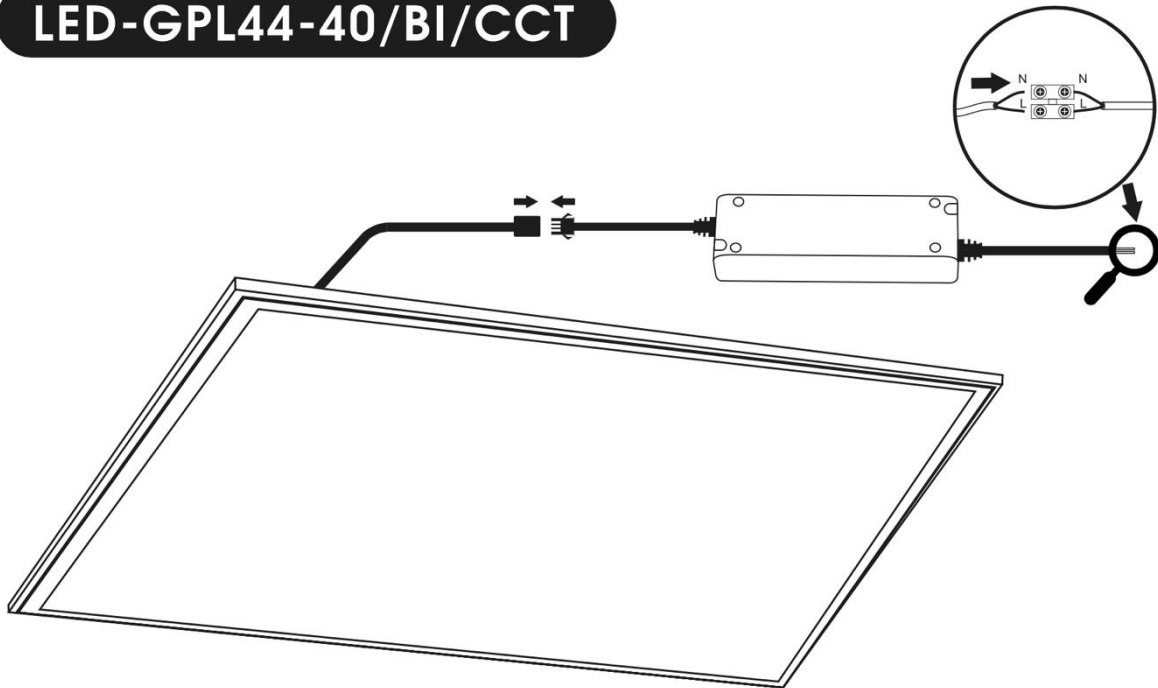
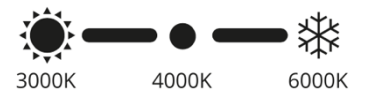
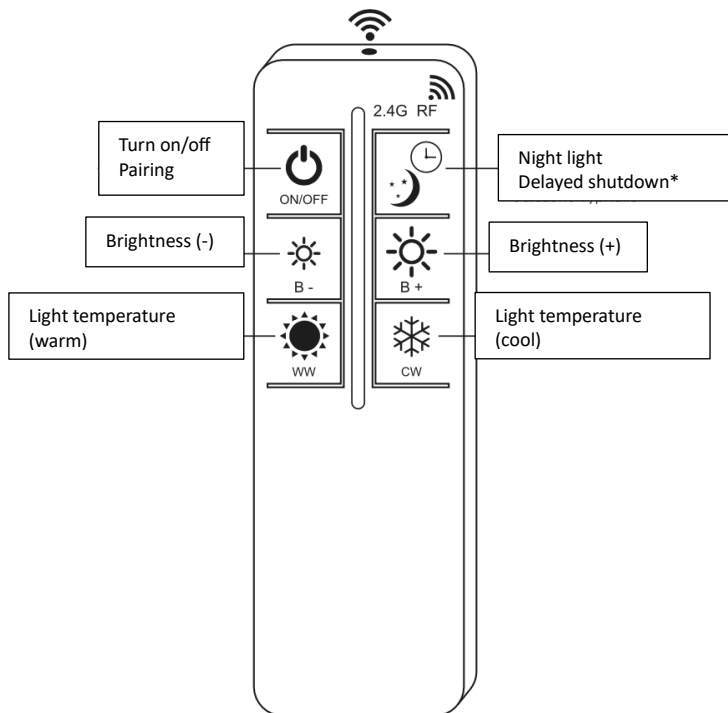


LED-GPL44-40/BI/CCT



LIGHTS ARE ALREADY PAIRED WITH THE REMOTE CONTROL



*Night light/delayed shutdown

Short press – switched to 10% power and switched to a warm color
Long press – 1 x flicker – set automatic shutdown after 30 minutes

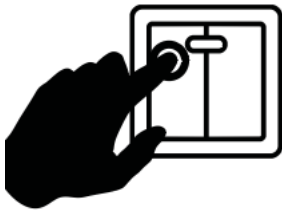
Pairing/unpairing the remote control and light

-after turning on the light with a wall switch, press the ON/OFF button for 3 seconds. After pairing, the light will slowly flash 3 times, after unpairing, the light will quickly flash 6 times. The interval for each of these operations is a maximum of 30 seconds after turning on.

-when pairing the remote control with a larger number of lights, make sure that the entire system is unpaired (no lights from the system respond to the remote control).

-the lights can be always controlled with only one remote control, but the number of controlled lights is not limited.

-the maximum range of the remote control is 20 m and the remote control uses 2x AAA batteries.



switching the light temperature can be done via a switch